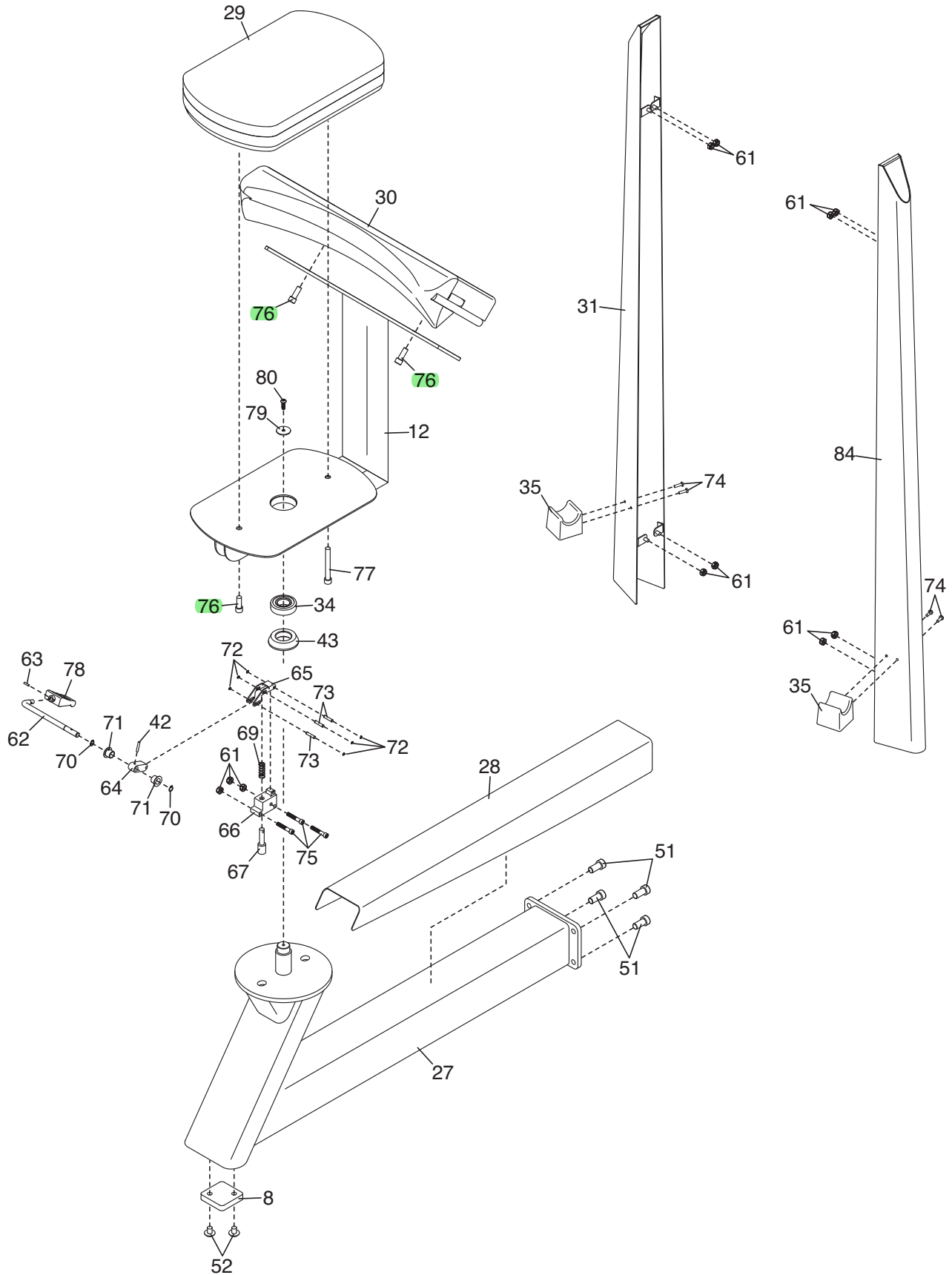


# EXPLODED DRAWING A—Model No. F602.1

R0510A



# EXPLODED DRAWING B—Model No. F602.1

R0510A

